



the LED lighting source™

COMMERCIAL • LANDSCAPE • ARCHITECTURAL • RESIDENTIAL

15 Brownridge Rd. Unit 6, Halton Hills, ON L7G 0C6 • 905-487-8192 • 1-877-LED-2DAY • SGiLighting.com

Project: _____

Client: _____

Part #: POWER-36-12VDC-100D

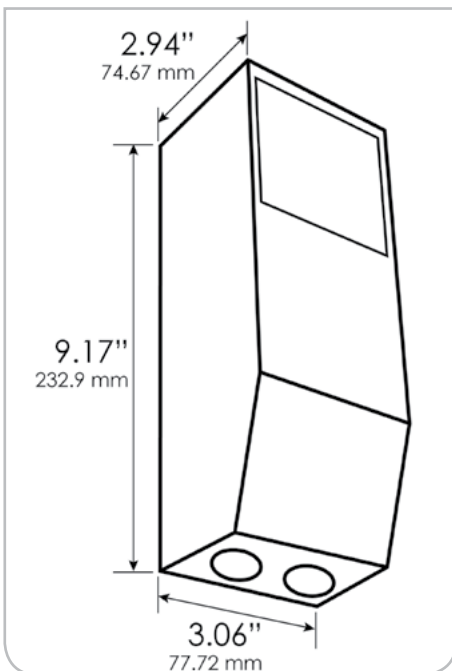
Date: dd / mm / yyyy Qty: _____

SPECIFICATION

LED Power • 100 Watt 12VDC Dimmable



AC Input Voltage	120V 60 Hz
DC Output Voltage	11.57 VDC (at full load)
Input Current Full Load	0.898A
Max Load	100W
Open Circuit Volts	12.5 VDC
Output Current Full Load	8.05A
Efficiency	87.20%
Leads Primary	PVC 600 V #18
Leads Secondary	PVC 300 V #12
Dimension	W 3.06" 77.72 mm
Width, Length, Height	L 9.17" 232.9 mm
	H 2.94" 74.67 mm
Weight	5.85 lbs 93.6 oz



Features

- Dimmable LED DC Magnetic Transformer
- Encapsulated transformer in black powder coated NEMA3 enclosure
- Enclosure temperature will not exceed 70 Deg C @ 40 Deg C ambient
- Removable wiring compartment with 2 knockouts sized for 3/4" screw cable connectors
- Removable cover for the wiring compartment is secured in place by a screw
- Manual reset thermal circuit breaker on secondary side
- Controlled with low voltage dimmer
- ETL Listed
- CSA Listed
- UL standards 5085-1
- NEMA 3R Enclosure



the LED lighting source™

COMMERCIAL • LANDSCAPE • ARCHITECTURAL • RESIDENTIAL

15 Brownridge Rd. Unit 6, Halton Hills, ON L7G 0C6 • 905-487-8192 • 1-877-LED-2DAY • SGiLighting.com

Project: _____

Client: _____

Part #: POWER-36-12VDC-100D

Date: dd / mm / yyyy Qty: _____

INSTALLATION

LED Power • 100 Watt 12VDC Dimmable

