



the LED lighting source™

COMMERCIAL • LANDSCAPE • ARCHITECTURAL • RESIDENTIAL

15 Brownridge Rd. Unit 6, Halton Hills, ON L7G 0C6 • 905-487-8192 • 1-877-LED-2DAY • SGiLighting.com

Project: _____

Client: _____

Part #: POWER-36-24VDC-200D

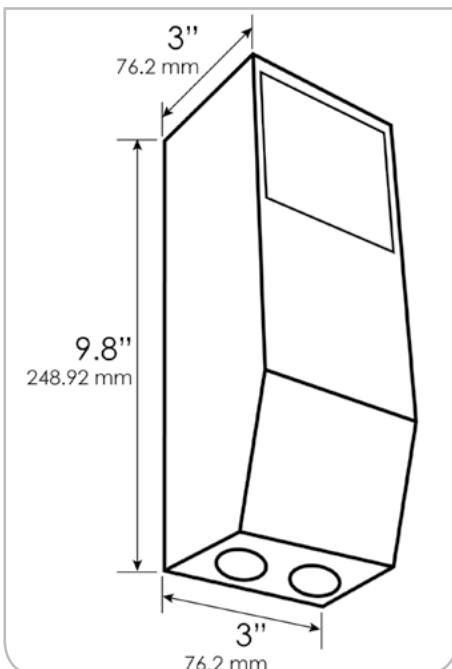
Date: dd / mm / yyyy Qty: _____

SPECIFICATION

LED Power • 200 Watt 24VDC Dimmable



| | |
|---------------------------------|-------------------------|
| AC Input Voltage | 120V 60 Hz |
| DC Output Voltage | 22.1 VDC (at full load) |
| Input Current Full Load | 2.51 A |
| Max Load | 200W |
| Open Circuit Volts | 24.7 VDC |
| Output Current Full Load | 10.9 A |
| Efficiency | 81.90% |
| Leads Primary | PVC 600 V #18 |
| Leads Secondary | PVC 300 V #12 |
| Dimension | W 3" 76.2 mm |
| Width, Length, Height | L 9.8" 248.92 mm |
| | H 3" 76.2 mm |
| Weight | 5.5 lbs 139.7 oz |



Features

- Dimmable LED DC Magnetic Transformer
- Encapsulated transformer in black powder coated metal enclosure
- Enclosure temperature will not exceed 70 Deg C @ 40 Deg C ambient
- Removable wiring compartment with 2 knockouts sized for 3/4" screw cable connectors
- Removable cover for the wiring compartment is secured in place by a screw
- Manual reset thermal circuit breaker on secondary side
- Controlled with low voltage dimmer
- ETL Listed
- CSA Listed
- UL standards 8750
- NEMA 3R Enclosure



the LED lighting source™

COMMERCIAL • LANDSCAPE • ARCHITECTURAL • RESIDENTIAL

15 Brownridge Rd. Unit 6, Halton Hills, ON L7G 0C6 • 905-487-8192 • 1-877-LED-2DAY • SGiLighting.com

Project: _____

Client: _____

Part #: POWER-36-24VDC-200D

Date: dd / mm / yyyy Qty: _____

INSTALLATION

LED Power • 200 Watt 24VDC Dimmable

