



the LED lighting source™

COMMERCIAL • LANDSCAPE • ARCHITECTURAL • RESIDENTIAL

15 Brownridge Rd. Unit 6, Halton Hills, ON L7G 0C6 • 905-487-8192 • 1-877-LED-2DAY • SGI Lighting.com

Project: _____

Client: _____

Part #: STEP - P - 1W - MCAP - 12VDC - fin - 120 - lc

Date: / / Qty: _____

SPECIFICATION

LED Step Light • 0.3 Watt Mini Cap



Operating Voltage (ov)	12V DC	Constant Voltage
Finish (fin)	WHT BLK	White* Black* SST BNZ Stainless Steel Architectural Bronze*
Beam Angle (ba) Degrees	120°	
Light Colour (lc) Correlated Colour Temperature (CCT)	2700K 3000K 4000K 5000K	Incandescent White Warm White Neutral White Cool White Specify Kelvin (K) for other CCTs* R Red* G Green* B Blue* A Amber*
Light Output Lumens	3000K 4000K 5000K	21 22.5 24
IP Rating	IP65	
Dimension Diameter, Fixture Height (full height), Trim Height, Hole Size	D FH TH HS	0.98" 1.33" 0.07" 0.62" 25 mm 34 mm 2 mm 16 mm
Housing	Stainless Steel	
Watts	0.3W	
Light Source	1 x 0.3W LED	
Input Voltage	AC 100V – 240V, 277V	external transformer
Dimmable	Yes	With dimmable transformer
Operating Temperature	-25°C to +50°C	-13°F to 122°F
Life Lumen Maintenance	50,000 hours	

Part Number Configuration – STEP-P-1W-MCAP-ov-fin-ba-lc

Category	Grade	Family	Operating Voltage (ov)	Finish (fin)	Beam Angle (ba)	Light Colour (lc)
STEP	P-Professional	1W MCAP	12VDC	SST Stainless Steel WHT White* BLK Black* BNZ Bronze*	120°	2700K IW 3000K WW 4000K NW 5000K CW R* G* B* A*

* Available on special order



the LED lighting source™
 COMMERCIAL • LANDSCAPE • ARCHITECTURAL • RESIDENTIAL

15 Brownridge Rd. Unit 6, Halton Hills, ON L7G 0C6 • 905-487-8192 • 1-877-LED-2DAY • SGI Lighting.com

Project: _____

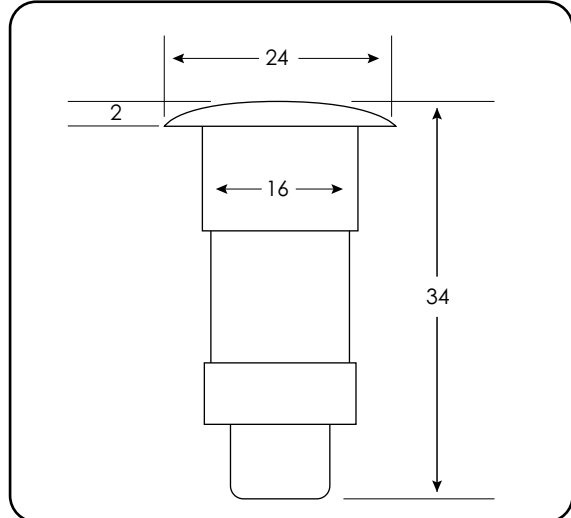
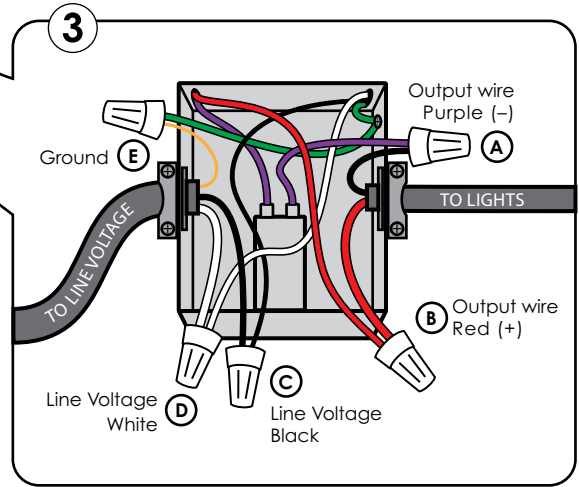
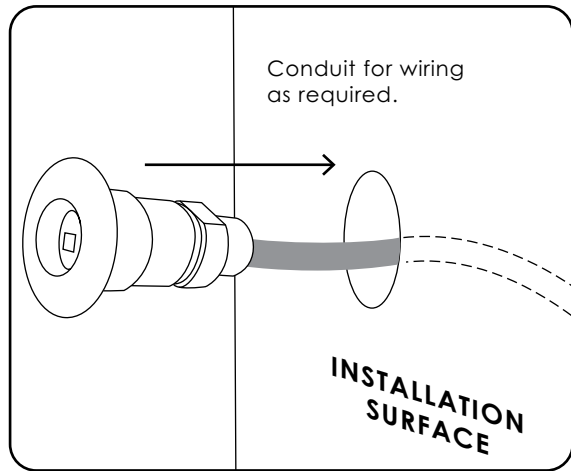
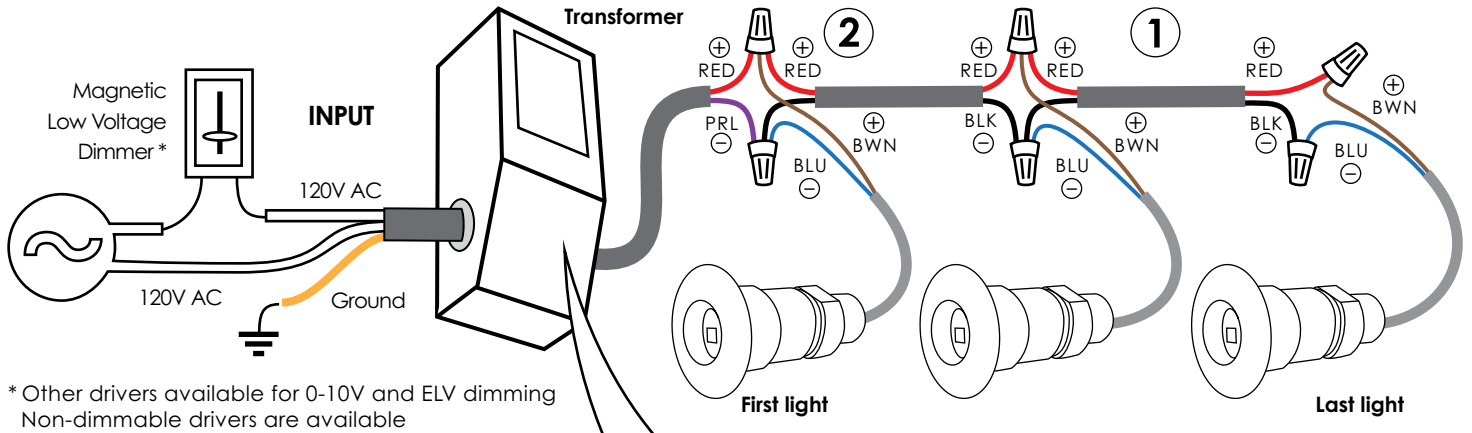
Client: _____

Part #: STEP - P - 1W - MCAP - 12VDC - fin - 120 - lc

Date: dd / mm / yyyy Qty: _____

INSTALLATION

LED Step Light • 0.3 Watt Mini Cap • Installation Guide



1. Connect a main line of 14 or 16 AWG 2 conductor shielded cable from transformer to furthest light.
2. Connect each light to main cable run coming from the transformer in parallel connection as shown above.
 Brown wire from Light (+) to Red wire from Transformer (+)
 Blue wire from Light (-) to Purple wire from Transformer (-)
3. Connect power to transformer as shown.

Installation clips provided. Alternatively, lights can be secured by siliconging fixture onto the installation surface.

Dimensions in millimetres.