



the LED lighting source™

COMMERCIAL • LANDSCAPE • ARCHITECTURAL • RESIDENTIAL

15 Brownridge Rd. Unit 6, Halton Hills, ON L7G 0C6 • 905-487-8192 • 1-877-LED-2DAY • SGIlighting.com

Project: _____

Client: _____

Part #: SPOT-P-3W-CYL-12VDC-fin-ba-ic

Date: / / Qty: _____

SPECIFICATION

LED Spot Light • 3 Watt Cylinder



Operating Voltage (ov)	12V DC	Constant Voltage	
Finish (fin)	WHT BLK	White Black	SIL Silver
Beam Angle (ba) Degrees	45°	15°*	60°*
Light Colour (lc) Correlated Colour Temperature (CCT)	2700K 3000K 4000K 5000K	Incandescent White* Warm White Neutral White* Cool White* Specify Kelvin (K) for other CCTs* R Red* G Green* B Blue* A Amber*	
Light Output Lumens	3000K 4000K 5000K	332 363 399	
IP Rating	IP65		
Dimension Diameter, Height, Weight	D H Wt	1.47" 2.5" 0.55 lbs	37 mm 63 mm 0.25 kgs
Housing	Aluminum Alloy		
Watts	3W		
Light Source	3 x 1W LED		
Input Voltage	AC 100V – 240V, 277V external transformer		
Dimmable	Yes With dimmable transformer		
Operating Temperature	-25°C to +50°C -13°F to 122°F		
Life Lumen Maintenance	50,000 hours		

Part Number Configuration – SPOT-P-3W-CYL-ov-fin-ba-ic

Category	Grade	Family	Operating Voltage (ov)	Finish (fin)	Beam Angle (ba)	Light Colour (lc)
SPOT	P-Professional	3W CYL	12VDC	SIL Silver WHT White BLK Black	15°* 45° 60°*	2700K IW* 3000K WW* 4000K NW* 5000K CW* R* G* B* A*

* Available on special order



the LED lighting source™
 COMMERCIAL • LANDSCAPE • ARCHITECTURAL • RESIDENTIAL

15 Brownridge Rd. Unit 6, Halton Hills, ON L7G 0C6 • 905-487-8192 • 1-877-LED-2DAY • SGIlighting.com

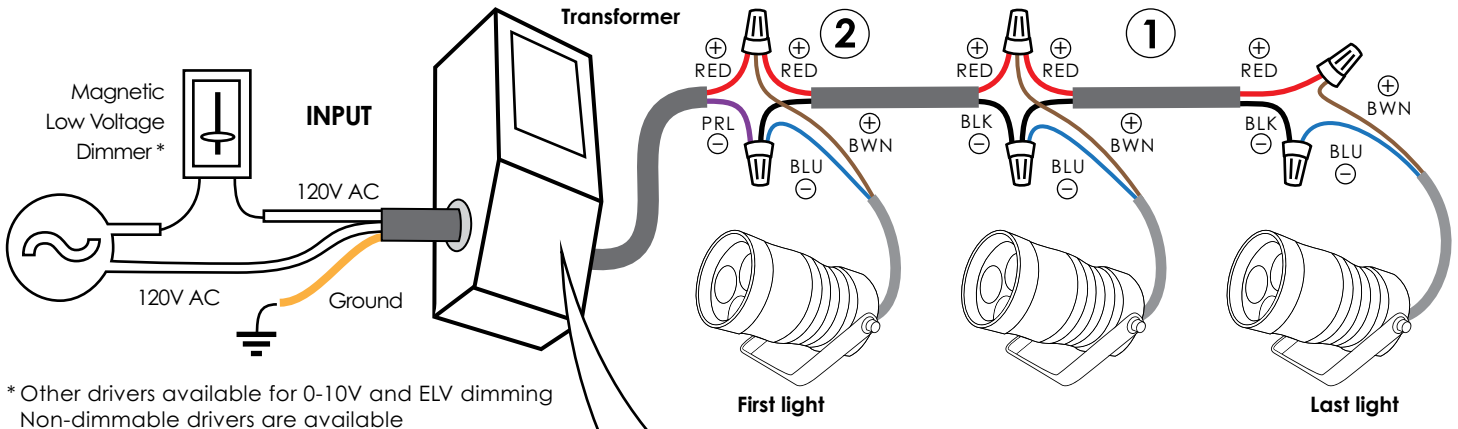
Project: _____

Client: _____

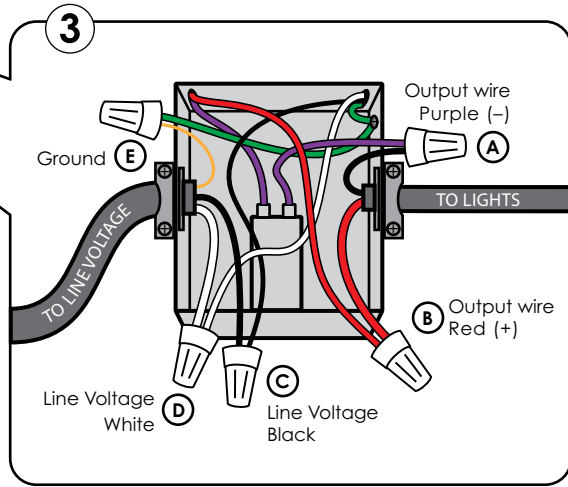
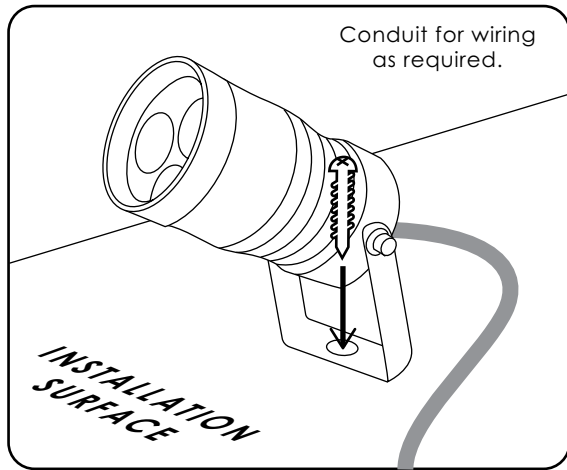
Part #: SPOT-P-3W-CYL-12VDC-fin-ba-lc

Date: / / Qty: _____

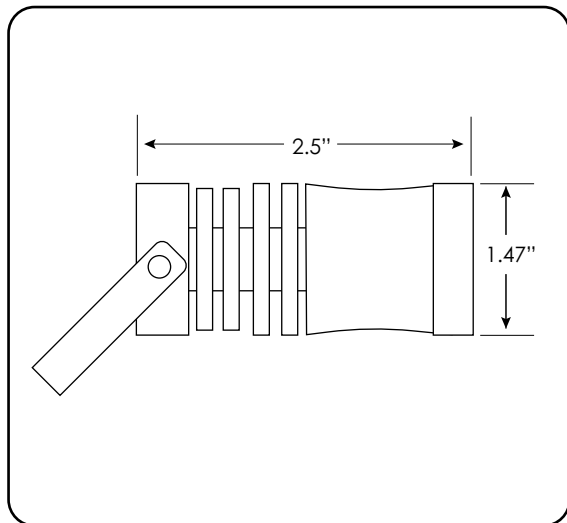
LED Spot Light • 3 Watt Cylinder • Installation Guide



* Other drivers available for 0-10V and ELV dimming
 Non-dimmable drivers are available



1. Connect a main line of 14 or 16 AWG 2 conductor shielded cable from transformer to furthest light.
2. Connect each light to main cable run coming from the transformer in parallel connection as shown above.
 Brown wire from Light (+) to Red wire from Transformer (+)
 Blue wire from Light (-) to Purple wire from Transformer (-)
3. Connect power to transformer as shown.



Dimensions in inches.