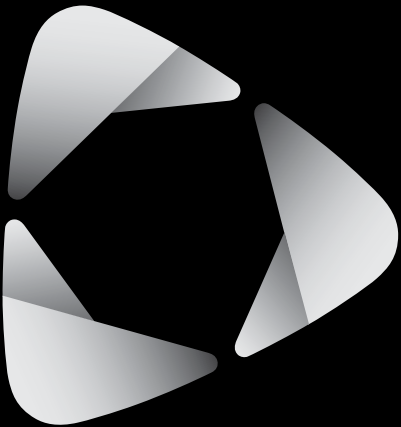


LED Spot Light • 3 Watt Cylinder



SSGi

the LED lighting source™

COMMERCIAL • LANDSCAPE • ARCHITECTURAL • RESIDENTIAL



the LED lighting source™

COMMERCIAL • LANDSCAPE • ARCHITECTURAL • RESIDENTIAL

15 Brownridge Rd. Unit 6, Halton Hills, ON L7G 0C6 • 905-487-8192 • 1-877-LED-2DAY • SGIlighting.com

Project: _____

Client: _____

Part #: SPOT-P-3W-CYL-12VDC-fin-ba-ic

Date: / / Qty: _____

SPECIFICATION

LED Spot Light • 3 Watt Cylinder



Operating Voltage (ov)	12V DC	Constant Voltage	
Finish (fin)	WHT BLK	White Black	SIL Silver
Beam Angle (ba) Degrees	45°	15°*	60°*
Light Colour (lc) Correlated Colour Temperature (CCT)	2700K 3000K 4000K 5000K	Incandescent White* Warm White Neutral White* Cool White* Specify Kelvin (K) for other CCTs* R Red* G Green* B Blue* A Amber*	
Light Output Lumens	3000K 4000K 5000K	332 363 399	
IP Rating	IP65		
Dimension Diameter, Height, Weight	D H Wt	1.47" 2.5" 0.55 lbs	37 mm 63 mm 0.25 kgs
Housing	Aluminum Alloy		
Watts	3W		
Light Source	3 x 1W LED		
Input Voltage	AC 100V – 240V, 277V external transformer		
Dimmable	Yes With dimmable transformer		
Operating Temperature	-25°C to +50°C -13°F to 122°F		
Life Lumen Maintenance	50,000 hours		

Part Number Configuration – SPOT-P-3W-CYL-ov-fin-ba-ic

Category	Grade	Family	Operating Voltage (ov)	Finish (fin)	Beam Angle (ba)	Light Colour (lc)
SPOT	P-Professional	3W CYL	12VDC	SIL Silver WHT White BLK Black	15°* 45° 60°*	2700K IW* 3000K WW* 4000K NW* 5000K CW* R* G* B* A*

* Available on special order



the LED lighting source™
 COMMERCIAL • LANDSCAPE • ARCHITECTURAL • RESIDENTIAL

15 Brownridge Rd. Unit 6, Halton Hills, ON L7G 0C6 • 905-487-8192 • 1-877-LED-2DAY • SGIlighting.com

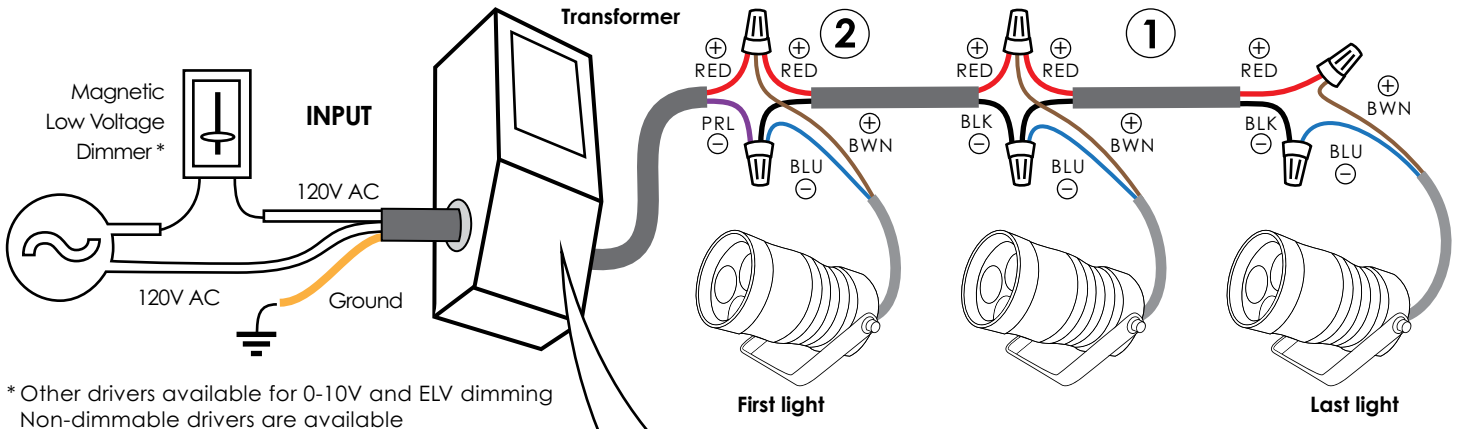
Project: _____

Client: _____

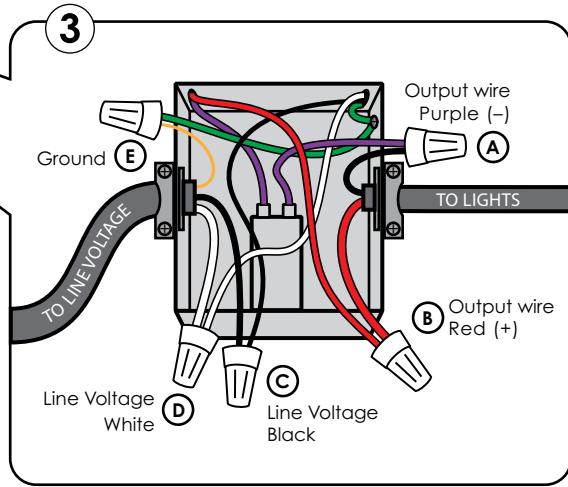
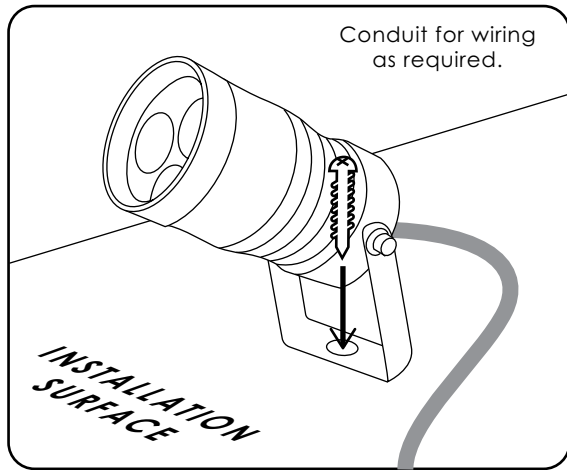
Part #: SPOT-P-3W-CYL-12VDC-fin-ba-lc

Date: / / Qty: _____

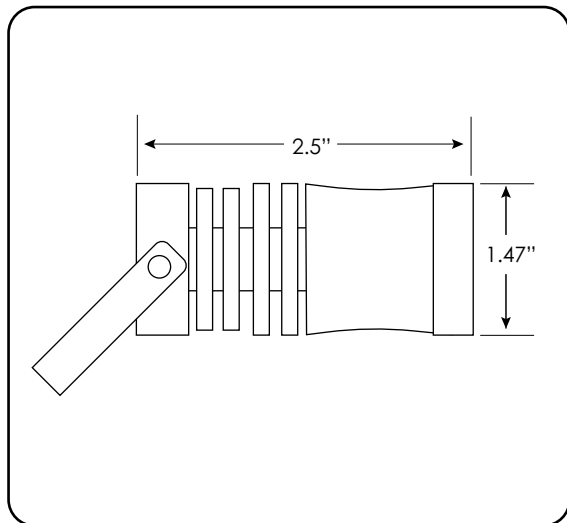
LED Spot Light • 3 Watt Cylinder • Installation Guide



* Other drivers available for 0-10V and ELV dimming
 Non-dimmable drivers are available



1. Connect a main line of 14 or 16 AWG 2 conductor shielded cable from transformer to furthest light.
2. Connect each light to main cable run coming from the transformer in parallel connection as shown above.
 Brown wire from Light (+) to Red wire from Transformer (+)
 Blue wire from Light (-) to Purple wire from Transformer (-)
3. Connect power to transformer as shown.



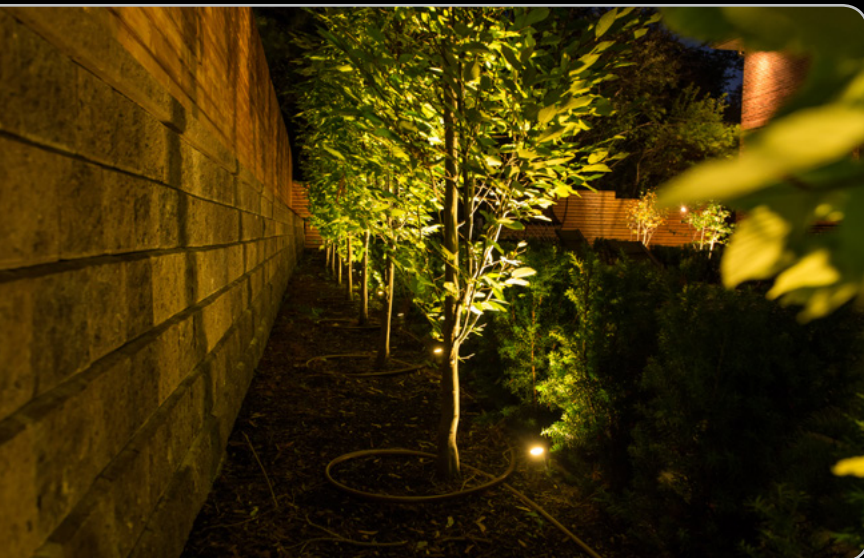
Dimensions in inches.

LED Spot Light • 3 Watt Cylinder



Applications:
Powerful uplighting and downlighting for exterior applications: Highlight foliage, hardscapes, decks and building exteriors

Crisp and sharp, SGi's three watt Cylinder LED Spot Light offers robust lighting for various indoor or outdoor applications for commercial, retail, landscape or residential environments. The unobtrusive and attractive design comes in a variety of designer finishes to perfectly match unique design styles. Choose from a selection of beam angles achieve elegantly highlights. With a durable, waterproof housing and a compact design this light can provide beautiful illumination in all types of weather while performing as a visible or hidden light source.



Visit our LED Lighting Inspiration Centre

15 Brownridge Rd. Unit 6
Halton Hills, ON L7G 0C6

1.877.LED2DAY (533.2329)
905.487.8192

SGiLighting.com