



the LED lighting source™

COMMERCIAL • LANDSCAPE • ARCHITECTURAL • RESIDENTIAL

15 Brownridge Rd. Unit 6, Halton Hills, ON L7G 0C6 • 905-487-8192 • 1-877-LED-2DAY • SGIlighting.com

Project: _____

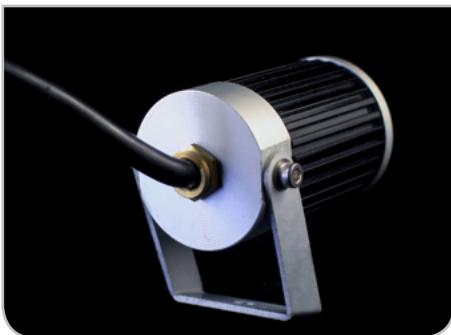
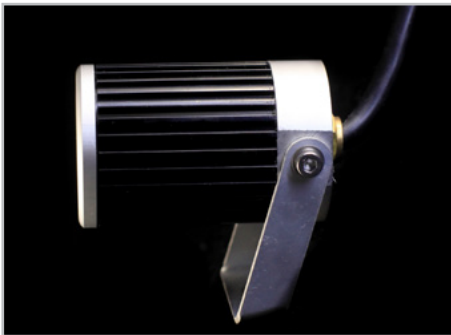
Client: _____

Part #: SPOT-P-3W-BRL-12VDC- BLK - 25 - lc

Date: / / Qty: _____

SPECIFICATION

LED Spot Light • 3 Watt Barrel



| | | |
|---|--|---------------------------|
| Operating Voltage (ov) | 12V DC | Constant Voltage |
| Finish (fin) | BLK | Black |
| Beam Angle (ba) Degrees | 25° | |
| Light Colour (lc) Correlated Colour Temperature (CCT) | 2700K Incandescent White* 3000K Warm White 4000K Neutral White* 5000K Cool White* Specify Kelvin (K) for other CCTs* R Red* G Green* B Blue* A Amber* | |
| Light Output Lumens | 3000K | 332 |
| | 4000K | 363 |
| | 5000K | 399 |
| IP Rating | IP65 | |
| Dimension Diameter, Height, Weight | D | 1.8" 45 mm |
| | H | 2.7" 67 mm |
| | Wt | 0.55 lbs 0.25 kgs |
| Housing | Aluminum Alloy (Black) | |
| Watts | 3W | |
| Light Source | 3 x 1W LED | |
| Input Voltage | AC 100V – 240V, 277V | external transformer |
| Dimmable | Yes | With dimmable transformer |
| Operating Temperature | -25°C to +50°C | -13°F to 122°F |
| Life Lumen Maintenance | 50,000 hours | |

Part Number Configuration – SPOT-P-3W-BRL-ov-fin-ba-lc

| Category | Grade | Family | Operating Voltage (ov) | Finish (fin) | Beam Angle (ba) | Light Colour (lc) |
|----------|----------------|--------|------------------------|--------------|-----------------|--|
| SPOT | P-Professional | 3W BRL | 12VDC | BLK Black | 25° | 2700K IW* 3000K WW* 4000K NW* 5000K CW* R* G* B* A* |

* Available on special order



the LED lighting source™
 COMMERCIAL • LANDSCAPE • ARCHITECTURAL • RESIDENTIAL

15 Brownridge Rd. Unit 6, Halton Hills, ON L7G 0C6 • 905-487-8192 • 1-877-LED-2DAY • SGIlighting.com

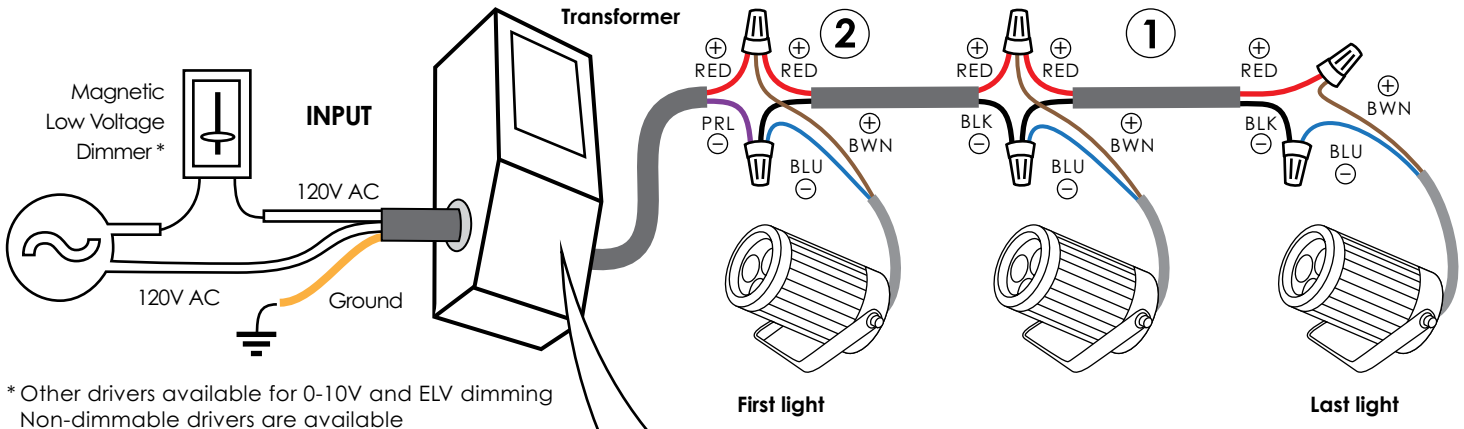
Project: _____

Client: _____

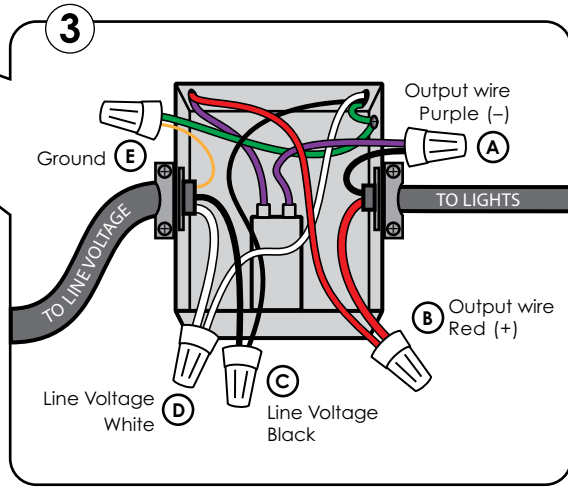
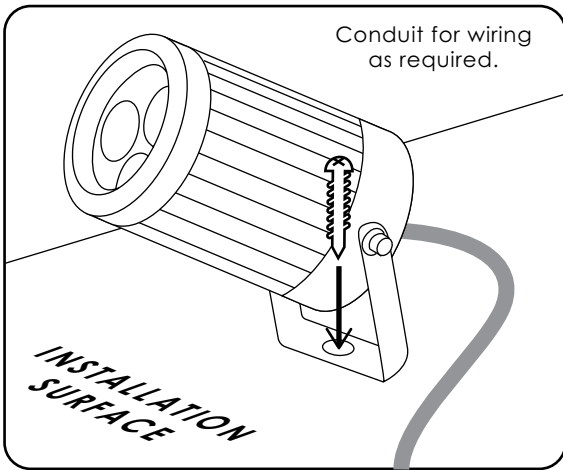
Part #: SPOT-P-3W-BRL-12VDC-BLK - 25 - lc

Date: / / Qty: _____

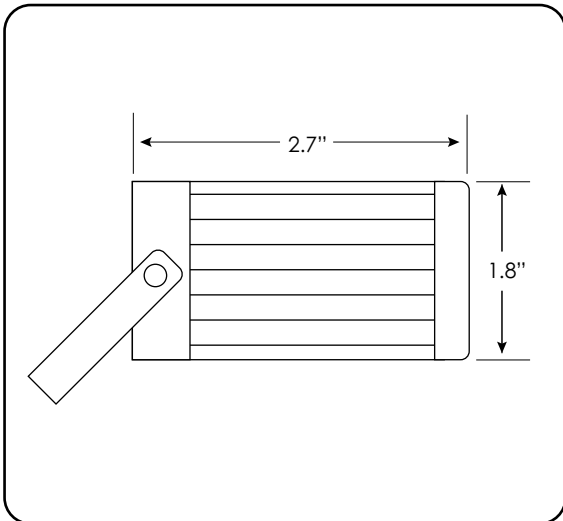
LED Spot Light • 3 Watt Barrel • Installation Guide



* Other drivers available for 0-10V and ELV dimming
 Non-dimmable drivers are available



1. Connect a main line of 14 or 16 AWG 2 conductor shielded cable from transformer to furthest light.
2. Connect each light to main cable run coming from the transformer in parallel connection as shown above.
 Brown wire from Light (+) to Red wire from Transformer (+)
 Blue wire from Light (-) to Purple wire from Transformer (-)
3. Connect power to transformer as shown.



Dimensions in inches.