



the LED lighting source

COMMERCIAL • LANDSCAPE • ARCHITECTURAL • RESIDENTIAL

15 Brownridge Rd. Unit 6, Halton Hills, ON L7G 0C6 • 905-487-8192 • 1-877-LED-2DAY • SGIlighting.com

Project: _____

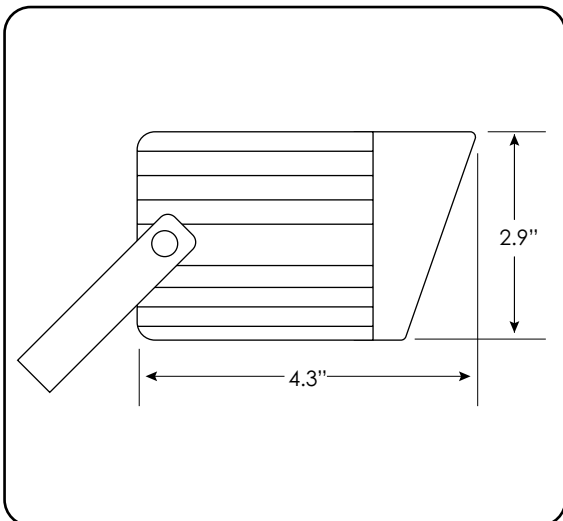
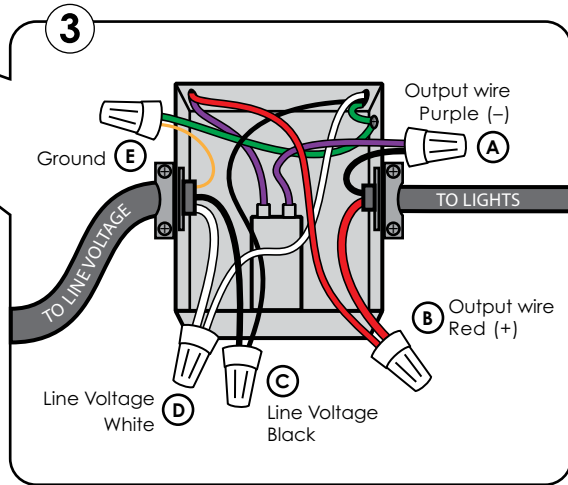
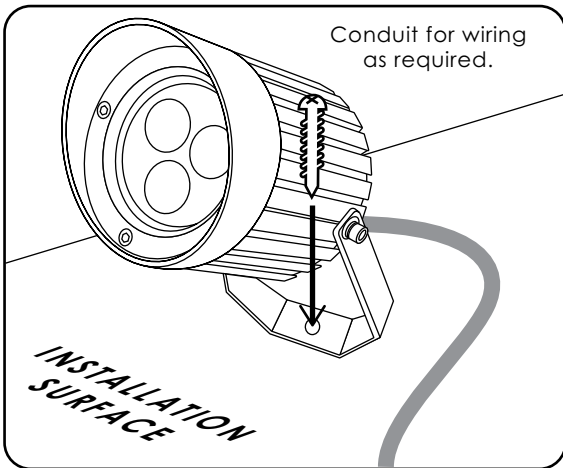
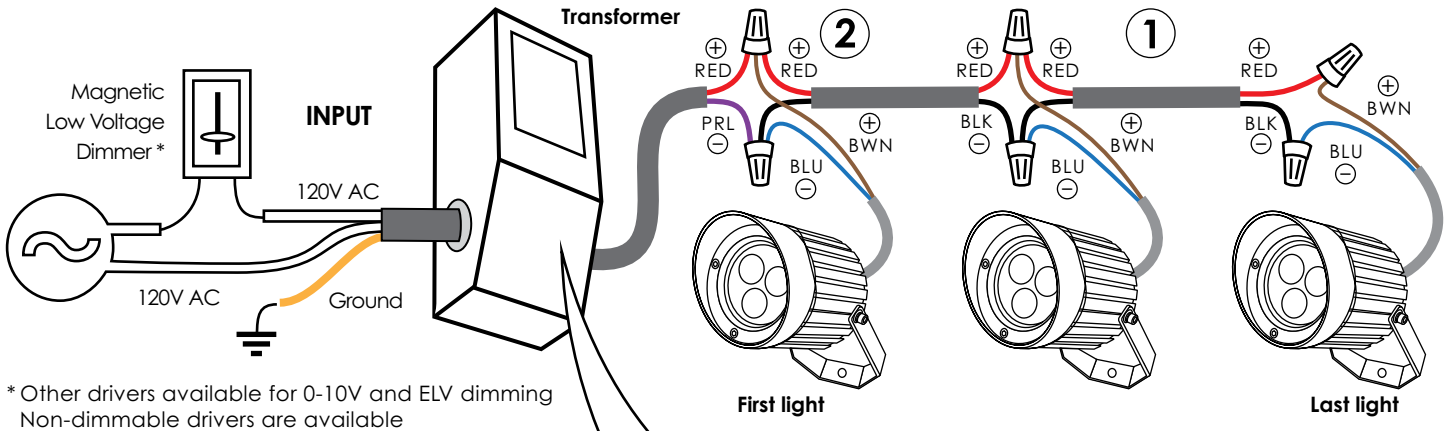
Client: _____

Part #: SPOT-P-9W-CAN-ov-fin-ba-lc

Date: / / Qty: _____

INSTALLATION

LED Spot Light • 9 Watt Cannon



1. Connect a main line of 14 or 16 AWG 2 conductor shielded cable from transformer to furthest light.
2. Connect each light to main cable run coming from the transformer in parallel connection as shown above.
Brown wire from Light (+) to Red wire from Transformer (+)
Blue wire from Light (-) to Purple wire from Transformer (-)
3. Connect power to transformer as shown.

Dimensions in inches.