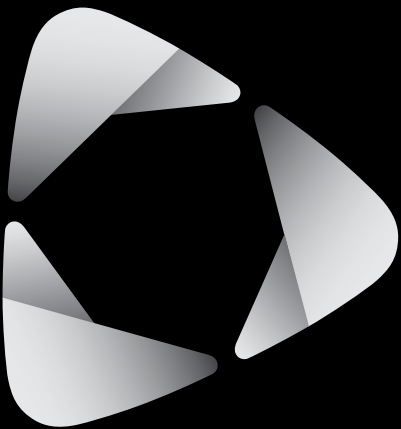


# LED Spot Light • 9 Watt Cannon



SSGi

the LED lighting source™

COMMERCIAL • LANDSCAPE • ARCHITECTURAL • RESIDENTIAL



the LED lighting source

COMMERCIAL • LANDSCAPE • ARCHITECTURAL • RESIDENTIAL

15 Brownridge Rd. Unit 6, Halton Hills, ON L7G 0C6 • 905-487-8192 • 1-877-LED-2DAY • SGIlighting.com

Project: \_\_\_\_\_

Client: \_\_\_\_\_

Part #: SPOT-P-9W-CAN-ov-fin-ba-ic

Date:      /      /      Qty: \_\_\_\_\_

SPECIFICATION

## LED Spot Light • 9 Watt Cannon



<b>Operating Voltage (ov)</b>	12V DC 24V DC	Constant Voltage Constant Voltage*
<b>Finish (fin)</b>	WHT BLK	White Black SIL Silver
<b>Beam Angle (ba)</b> Degrees	60°	15°* 45°*
<b>Light Colour (lc)</b> Correlated Colour Temperature (CCT)	2700K 3000K 4000K 5000K	Incandescent White* Warm White Neutral White* Cool White* Specify Kelvin (K) for other CCTs* R Red* G Green* B Blue* A Amber* See RGB spec sheets for Colour Changing options
<b>Light Output</b> Lumens	3000K 4000K 5000K	665 786 882
<b>IP Rating</b>	IP65	
<b>Dimension</b> Diameter, Height, Weight	D H Wt	2.91" 74 mm 4.3" 109 mm 1.4 lbs 0.7 kgs
<b>Housing</b>	Aluminum Alloy	
<b>Watts</b>	9W	
<b>Light Source</b>	3x3W LED	
<b>Input Voltage</b>	AC 100V – 240V, 277V external transformer	
<b>Dimmable</b>	Yes With dimmable transformer	
<b>Operating Temperature</b>	-25°C to +50°C -13°F to 122°F	
<b>Life</b> Lumen Maintenance	50,000 hours	

### Part Number Configuration – SPOT-P-9W-CAN-ov-fin-ba-ic

Category	Grade	Family	Operating Voltage (ov)	Finish (fin)	Beam Angle (ba)	Light Colour (lc)
SPOT	P-Professional	9W CAN	12VDC 24VDC*	SIL Silver WHT White BLK Black	15°* 45°* 60°	2700K IW* 3000K WW* 4000K NW* 5000K CW* R* G* B* A*

\* Available on special order



the LED lighting source

COMMERCIAL • LANDSCAPE • ARCHITECTURAL • RESIDENTIAL

15 Brownridge Rd. Unit 6, Halton Hills, ON L7G 0C6 • 905-487-8192 • 1-877-LED-2DAY • SGIlighting.com

Project: \_\_\_\_\_

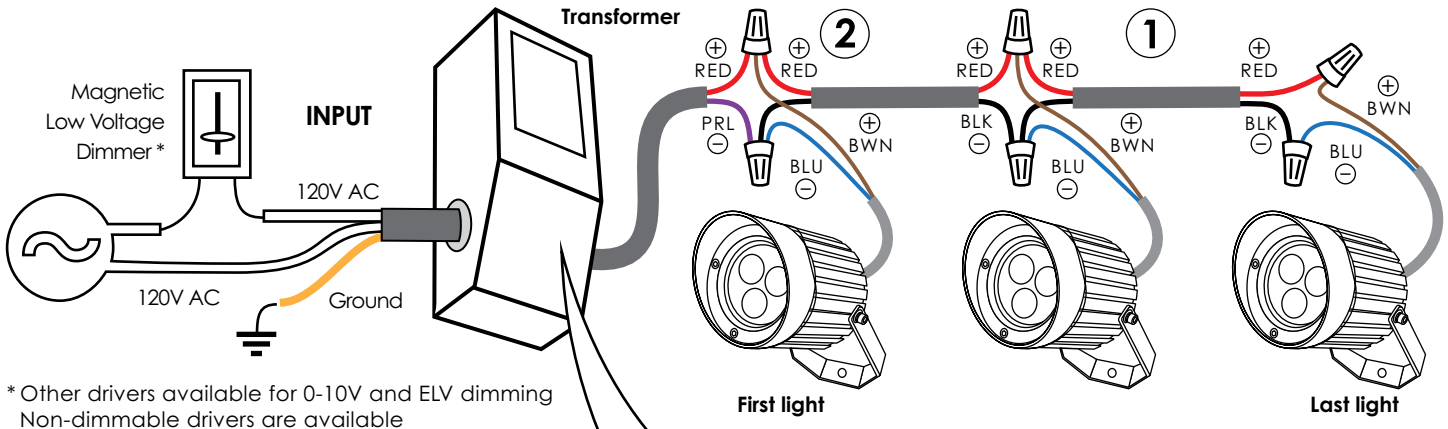
Client: \_\_\_\_\_

Part #: SPOT-P-9W-CAN-ov-fin-ba-lc

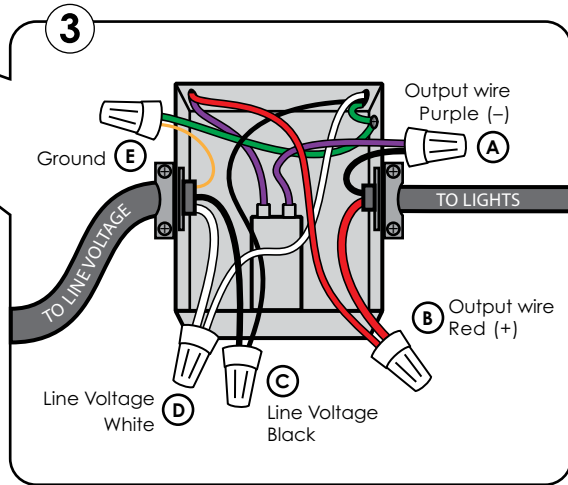
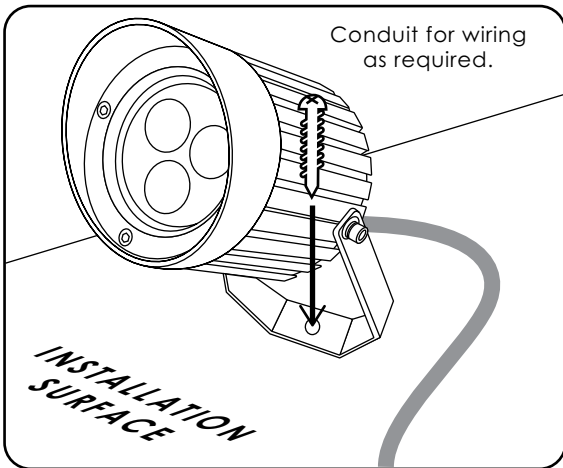
Date:      /      /      Qty: \_\_\_\_\_

INSTALLATION

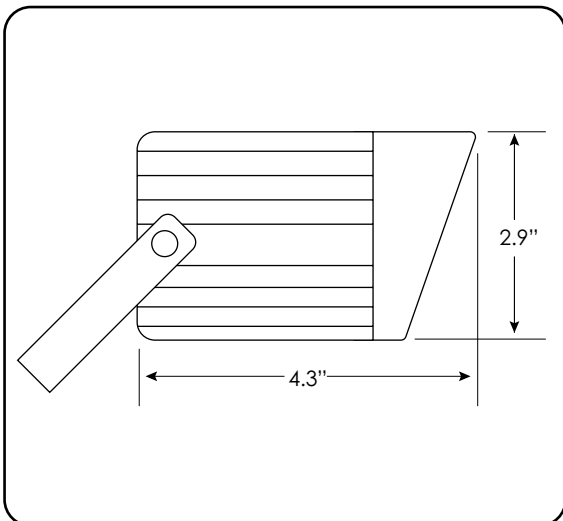
# LED Spot Light • 9 Watt Cannon



\* Other drivers available for 0-10V and ELV dimming  
Non-dimmable drivers are available



1. Connect a main line of 14 or 16 AWG 2 conductor shielded cable from transformer to furthest light.
2. Connect each light to main cable run coming from the transformer in parallel connection as shown above.  
Brown wire from Light (+) to Red wire from Transformer (+)  
Blue wire from Light (-) to Purple wire from Transformer (-)
3. Connect power to transformer as shown.



Dimensions in inches.

# LED Spot Light • 9 Watt Cannon



## Applications:

Powerful illumination for outdoor landscape applications:  
Gardens, yards, trees, hardscaping and perimeter lighting

**Treat unique applications** to powerful lighting with SGI's Cannon LED Spot Lights. The hooded design projects stronger light while making it an attractive lighting source. Choose from a variety of designer finishes to match any style. Durable waterproof design allows this spotlight to perform indoors or outdoors. Use its powerful light beam for highlighting on a variety of lighting applications. SGI's Cannon Spot light comes in 15°, 45° and 60° beam angles in order to perfectly match interior or exterior, commercial, architectural or landscape environments.



Visit our LED Lighting Inspiration Centre

15 Brownridge Rd. Unit 6  
Halton Hills, ON L7G 0C6

1.877.LED2DAY (533.2329)  
905.487.8192

[SGILighting.com](http://SGILighting.com)