



the LED lighting source™  
 COMMERCIAL • LANDSCAPE • ARCHITECTURAL • RESIDENTIAL

15 Brownridge Rd. Unit 6, Halton Hills, ON L7G 0C6 • 905-487-8192 • 1-877-LED-2DAY • SGIlighting.com

Project: \_\_\_\_\_

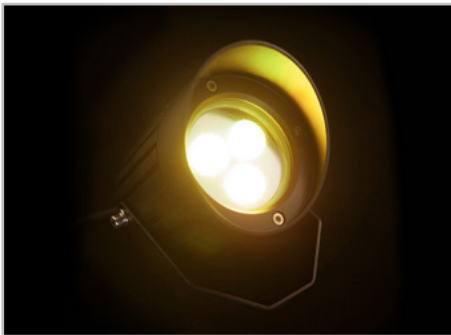
Client: \_\_\_\_\_

Part #: SPOT-P- watt -CAN-12VDC- fin - 45 - RGB

Date: dd / mm / yyyy Qty: \_\_\_\_\_

SPECIFICATION

## LED Spot Light • 6/9 Watt Cannon RGB



<b>Operating Voltage (ov)</b>	12V DC	Constant Voltage		
<b>Finish (fin)</b>	WHT BLK	White Black	SIL	Silver
<b>Beam Angle (ba)</b> Degrees	45°			
<b>Light Colour (lc)</b> Correlated Colour Temperature (CCT)	RGB	Colour Changing		
	Also available in Whites and Single Colours Please see individual product spec sheets			
<b>Light Output</b> Lumens	RGB White	594 6W	914 9W	
<b>IP Rating</b>	IP65			
<b>Dimension</b> Diameter, Height, Weight	D H Wt	2.91" 4.3" 1.4 lbs	74 mm 109 mm 0.7 kgs	
<b>Housing</b>	Aluminum Alloy			
<b>Watts</b>	6W*	9W		
<b>Light Source</b>	3 x 2W RGB LED 6W 3 x 3W RGB LED 9W			
<b>Input Voltage</b>	AC 100V – 240V, 277V external transformer			
<b>Dimmable</b>	Yes – with dimmable transformer			
<b>Operating Temperature</b>	-25°C to +50°C		-13°F to 122°F	
<b>Life</b> Lumen Maintenance	50,000 hours			

### Part Number Configuration – SPOT-P-watt-CAN-ov-fin-ba-lc

Category	Grade	Family	Operating Voltage (ov)	Finish (fin)	Beam Angle (ba)	Light Colour (lc)
SPOT	P-Professional	6W CAN* 9W CAN	12VDC	SIL Silver WHT White BLK Black	45°	RGB

\* Available on special order



the LED lighting source™  
 COMMERCIAL • LANDSCAPE • ARCHITECTURAL • RESIDENTIAL

15 Brownridge Rd. Unit 6, Halton Hills, ON L7G 0C6 • 905-487-8192 • 1-877-LED-2DAY • SGIlighting.com

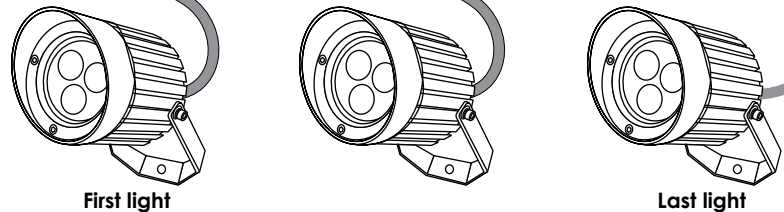
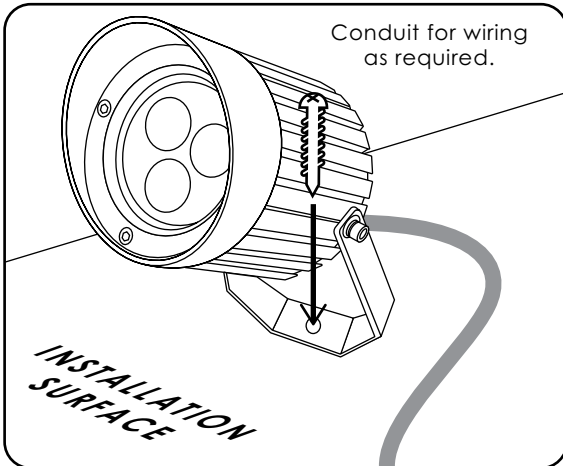
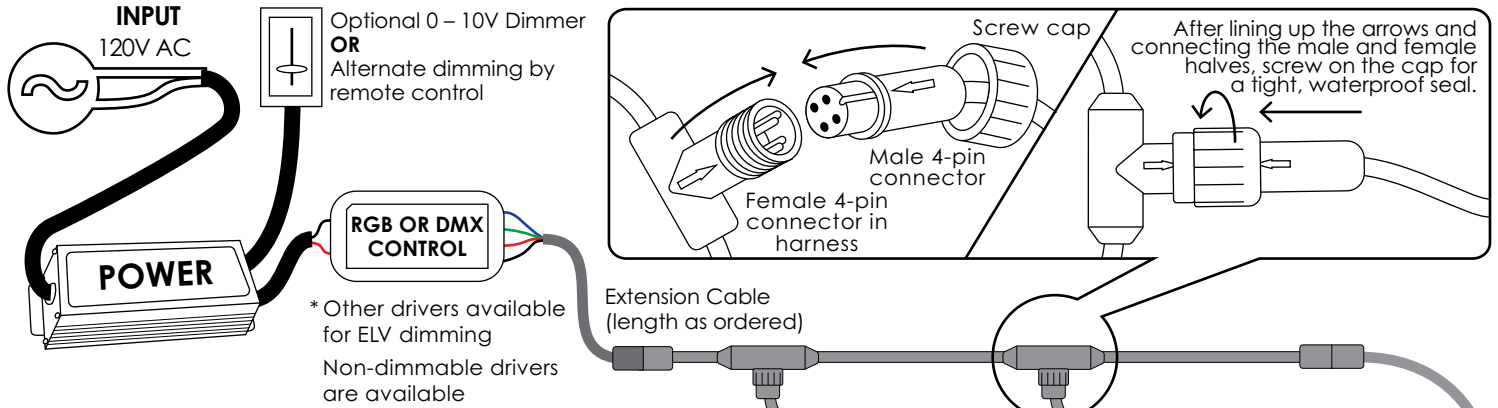
Project: \_\_\_\_\_

Client: \_\_\_\_\_

Part #: SPOT-P- watt -CAN-12VDC- fin - 45 - RGB

Date: dd / mm / yyyy Qty: \_\_\_\_\_

# LED Spot Light • 6/9 Watt Cannon RGB • Installation Guide



## QUICK CONNECT OPTION

- Using the Quick Connections (shown above), connect all of the lights together then connect the first light to the controller.

Make sure the arrows on the female connector and the male connector are lined up.

- Tighten the screw caps around the connectors to ensure a waterproof connection.

- Connect lights to controller. **Please refer to Controller installation pages for detailed wiring instructions.**

- Connect transformer to line voltage.

**OR**

## HARDWIRE OPTION

- Connect a main line of 14 or 16 AWG two conductor shielded cable from transformer to furthest light.

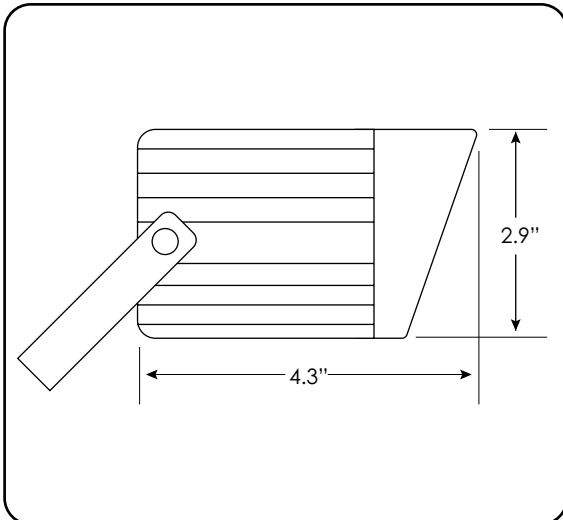
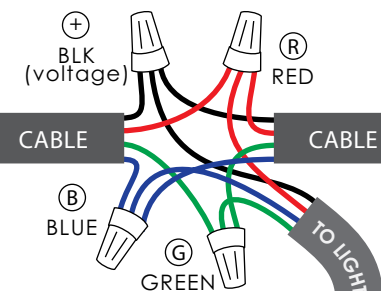
- Connect each light to main cable run coming from the transformer in parallel connection as shown above.

Black wire from Light (V+) to Black wire from cable (V+)

Red wire from Light (R) to Red wire from cable (R)

Green wire from Light (G) to Green wire from cable (G)

Blue wire from Light (B) to Blue or White wire from cable (B)



Dimensions in inches.