



the LED lighting source™

COMMERCIAL • LANDSCAPE • ARCHITECTURAL • RESIDENTIAL

15 Brownridge Rd. Unit 6, Halton Hills, ON L7G 0C6 • 905-487-8192 • 1-877-LED-2DAY • SGIlighting.com

Project: _____

Client: _____

Part #: SPOT-P- fam – ov – fin – ba – lc

Date: / / Qty: _____

SPECIFICATION

LED Spot Light • 3/6/9 Watt Cannon



Operating Voltage (ov)	12V DC Constant Voltage 24V DC Constant Voltage*
Finish (fin)	WHT White SIL Silver BLK Black
Beam Angle (ba) Degrees	60° 15°* 45°*
Light Colour (lc) Correlated Colour Temperature (CCT)	2700K Incandescent White* 3000K Warm White 4000K Neutral White* 5000K Cool White* Specify Kelvin (K) for other CCTs* R Red* G Green* B Blue* A Amber* See RGB spec sheets for Colour Changing options
Light Output Lumens	3000K 665 9W 443 6W 221 3W 4000K 786 9W 524 6W 262 3W 5000K 882 9W 588 6W 294 3W
IP Rating	IP65
Dimension Diameter, Height, Weight	D 2.91" 74 mm H 4.3" 109 mm Wt 1.4 lbs 0.7 kgs
Housing	Aluminum Alloy
Watts	9W 6W* 3W*
Light Source	3x3W LED 9W 3x2W LED 6W 3x1W LED 3W
Input Voltage	AC 100V – 240V, 277V external transformer
Dimmable	Yes With dimmable transformer
Operating Temperature	-25°C to +50°C -13°F to 122°F
Life Lumen Maintenance	50,000 hours

Part Number Configuration – SPOT-P-fam-ov-fin-ba-lc

Category	Grade	Family (fam)	Operating Voltage (ov)	Finish (fin)	Beam Angle (ba)	Light Colour (lc)
SPOT	P-Professional	9W CAN 6W CAN* 3W CAN*	12VDC 24VDC*	SIL Silver WHT White BLK Black	15°* 45°* 60°	2700K IW* 3000K WW* 4000K NW* 5000K CW* R* G* B* A*

* Available on special order



the LED lighting source™
 COMMERCIAL • LANDSCAPE • ARCHITECTURAL • RESIDENTIAL

15 Brownridge Rd. Unit 6, Halton Hills, ON L7G 0C6 • 905-487-8192 • 1-877-LED-2DAY • SGIlighting.com

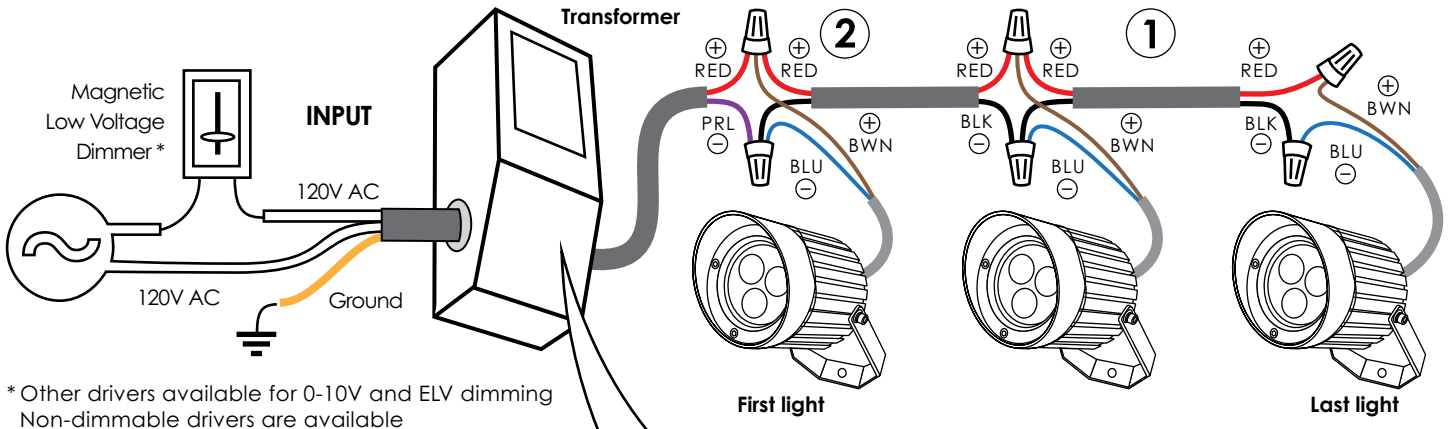
Project: _____

Client: _____

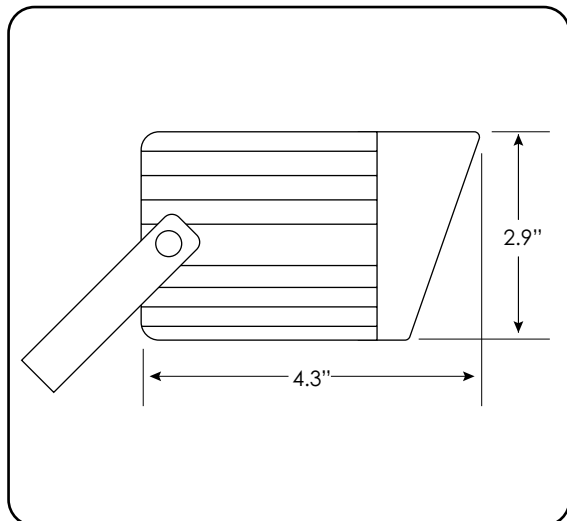
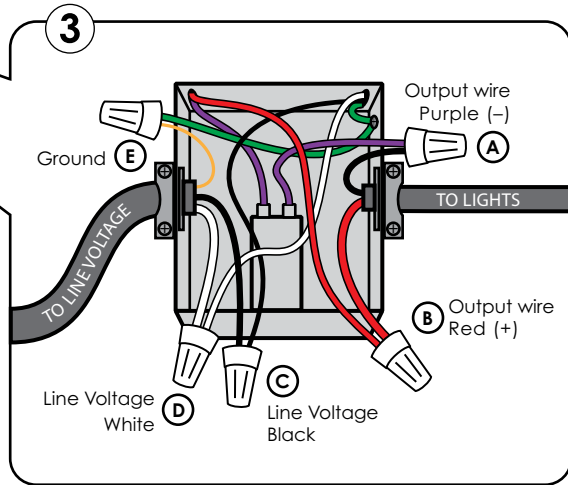
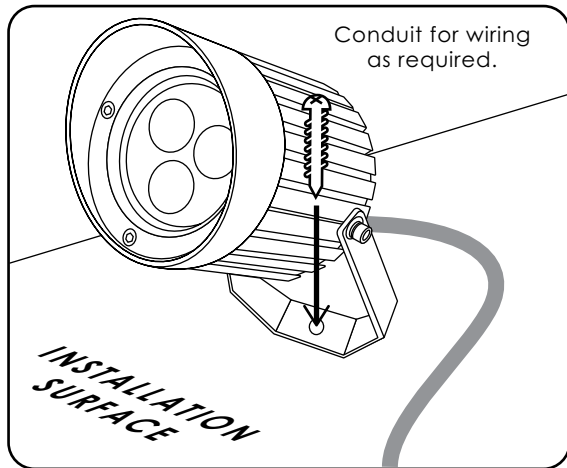
Part #: SPOT-P- fam - ov - fin - ba - lc

Date: _____ dd / mm / yyyy Qty: _____

LED Spot Light • 3/6/9 Watt Cannon • Installation Guide



* Other drivers available for 0-10V and ELV dimming
 Non-dimmable drivers are available



1. Connect a main line of 14 or 16 AWG 2 conductor shielded cable from transformer to furthest light.
2. Connect each light to main cable run coming from the transformer in parallel connection as shown above.
 Brown wire from Light (+) to Red wire from Transformer (+)
 Blue wire from Light (-) to Purple wire from Transformer (-)
3. Connect power to transformer as shown.

Dimensions in inches.