



the LED lighting source™

COMMERCIAL • LANDSCAPE • ARCHITECTURAL • RESIDENTIAL

15 Brownridge Rd. Unit 6, Halton Hills, ON L7G 0C6 • 905-487-8192 • 1-877-LED-2DAY • SGIlighting.com

Project: _____

Client: _____

Part #: SPOT-P-18W-MAG-24VDC-fin-45-RGB

Date: / / Qty: _____

SPECIFICATION

LED Spot Light • 18W Magnum RGB



Operating Voltage (ov)	24V DC	Constant Voltage		
Finish (fin)	WHT	White	SIL	Silver
	BLK	Black	GRY	Silver
Beam Angle (ba) Degrees	45°			
Light Colour (lc) Correlated Colour Temperature (CCT)	RGB	Colour Changing		
	Also available in Whites and Single Colours Please see individual product spec sheets			
Light Output Lumens	RGB White	1645.2		
IP Rating	IP65			
Dimension Diameter, Height, Weight	D	5.43"	138 mm	
	H	6.29"	160 mm	
	Wt	1.5 lbs	0.68 kgs	
Housing	Aluminum Finish			
Watts	18W			
Light Source	6 x 3W RGB LED			
Input Voltage	AC 100V – 240V, 277V external transformer			
Dimmable	Yes – with dimmable transformer			
Operating Temperature	-25°C to +50°C		-13°F to 122°F	
Life Lumen Maintenance	50,000 hours			

Part Number Configuration – SPOT-P-18W-MAG-ov-fin-ba-lc

Category	Grade	Family	Operating Voltage (ov)	Finish (fin)	Beam Angle (ba)	Light Colour (lc)
SPOT	P-Professional	18W MAG	24VDC	SIL Silver WHT White BLK Black GRY Grey	45°*	RGB



the LED lighting source™
 COMMERCIAL • LANDSCAPE • ARCHITECTURAL • RESIDENTIAL

15 Brownridge Rd. Unit 6, Halton Hills, ON L7G 0C6 • 905-487-8192 • 1-877-LED-2DAY • SGIlighting.com

Project: _____

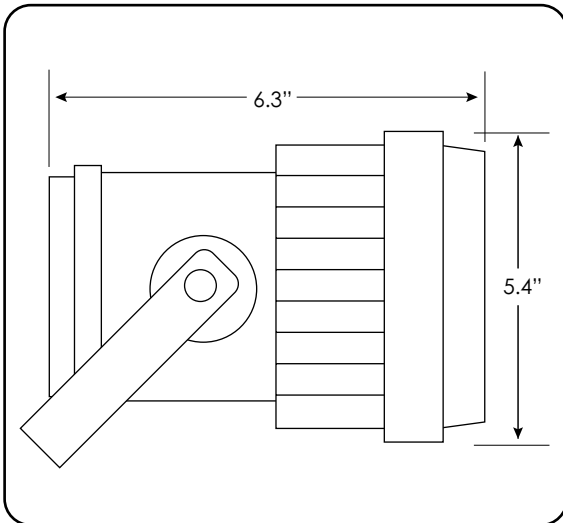
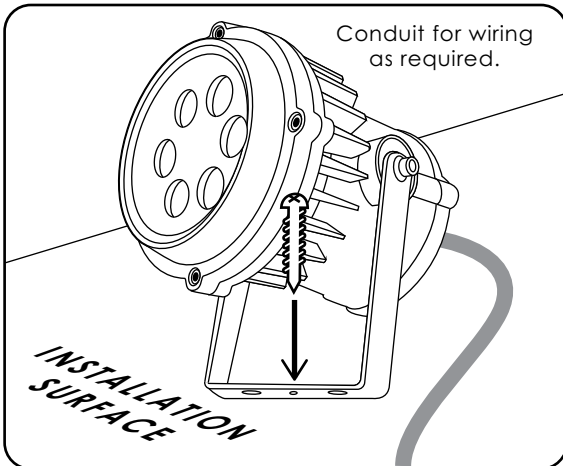
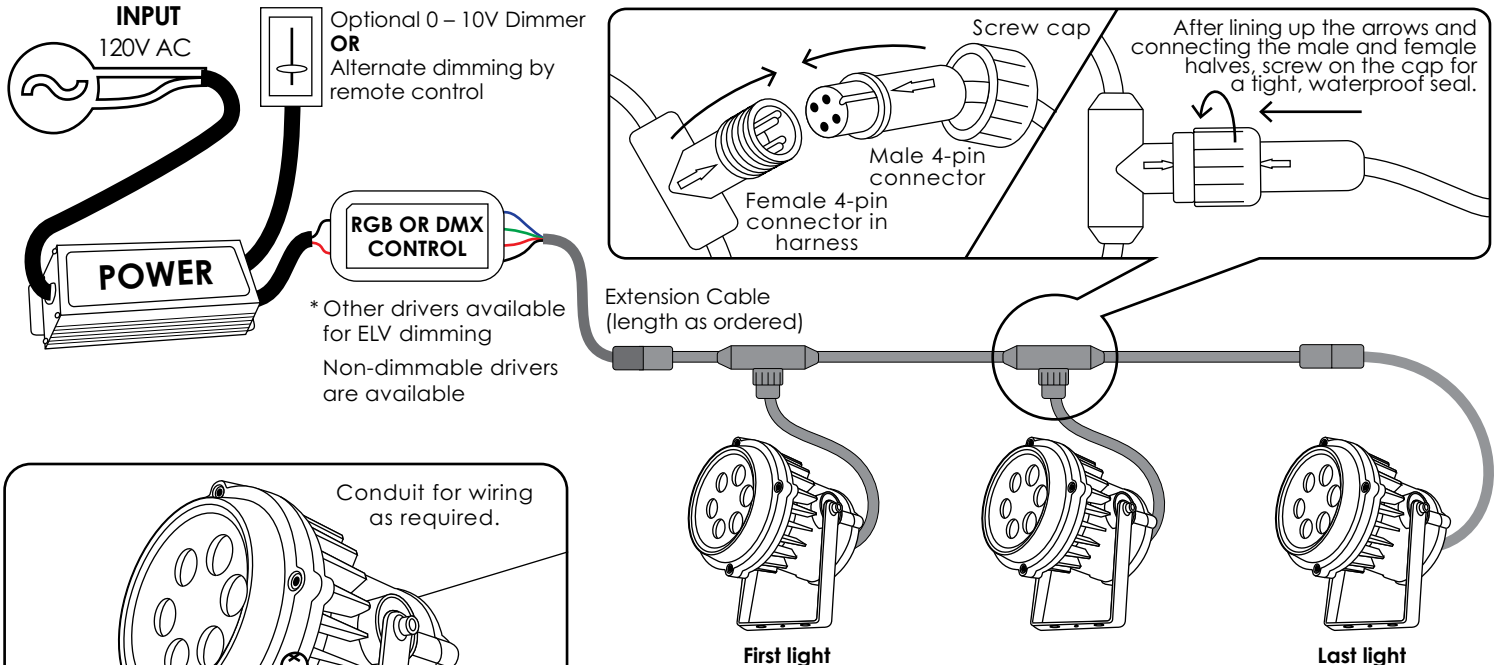
Client: _____

Part #: SPOT-P-18W-MAG-24VDC-fin-45-RGB

Date: / / Qty: _____

INSTALLATION

LED Spot Light • 18W Magnum RGB • Installation Guide



QUICK CONNECT OPTION

- Using the Quick Connections (shown above), connect all of the lights together then connect the first light to the controller.

Make sure the arrows on the female connector and the male connector are lined up.

- Tighten the screw caps around the connectors to ensure a waterproof connection.

- Connect lights to controller. **Please refer to Controller installation pages for detailed wiring instructions.**

- Connect transformer to line voltage.

OR

HARDWIRE OPTION

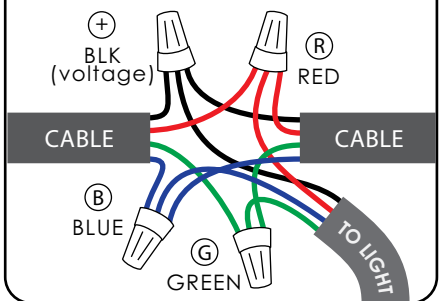
- Connect a main line of 14 or 16 AWG two conductor shielded cable from transformer to furthest light.
- Connect each light to main cable run coming from the transformer in parallel connection as shown above.

Black wire from Light (V+) to Black wire from cable (V+)

Red wire from Light (R) to Red wire from cable (R)

Green wire from Light (G) to Green wire from cable (G)

Blue wire from Light (B) to Blue or White wire from cable (B)



Dimensions in inches.

Copyright © 2017 SGI Lighting Inc. The LED Lighting Source™. All rights reserved. REV20171011
 Due to continuous improvements and innovations, specifications may change without notice.