



the LED lighting source™

COMMERCIAL • LANDSCAPE • ARCHITECTURAL • RESIDENTIAL

15 Brownridge Rd. Unit 6, Halton Hills, ON L7G 0C6 • 905-487-8192 • 1-877-LED-2DAY • SGIlighting.com

Project: \_\_\_\_\_

Client: \_\_\_\_\_

Part #: SPOT-P-18W-MAG-24VDC-fin-ba-lc

Date:      /      /      Qty: \_\_\_\_\_

SPECIFICATION

## LED Spot Light • 18 Watt Magnum



<b>Operating Voltage (ov)</b>	24V DC Constant Voltage			
<b>Finish (fin)</b>	WHT	White	SIL	Silver
	BLK	Black	GRY	Silver
<b>Beam Angle (ba)</b> Degrees	60°	15°*	25°*	45°*
<b>Light Colour (lc)</b> Correlated Colour Temperature (CCT)	2700K	Incandescent White*		
	3000K	Warm White		
	4000K	Neutral White*		
	5000K	Cool White*		
	RGB	Colour Changing		
	Specify Kelvin (K) for other CCTs*			
	R Red*	G Green*	B Blue*	A Amber*
<b>Light Output</b> Lumens	3000K	1395		
	4000K	1495		
	5000K	1527		
<b>IP Rating</b>	IP65			
<b>Dimension</b> Diameter, Height, Weight	D	5.43"	138 mm	
	H	6.29"	160 mm	
	Wt	1.5 lbs	0.68 kgs	
<b>Housing</b>	Aluminum Finish			
<b>Watts</b>	18W			
<b>Light Source</b>	6 x 3W LED			
<b>Input Voltage</b>	AC 100V – 240V, 277V external transformer			
<b>Dimmable</b>	Yes With dimmable transformer			
<b>Operating Temperature</b>	-25°C to +50°C		-13°F to 122°F	
<b>Life</b> Lumen Maintenance	50,000 hours			

### Part Number Configuration – SPOT-P-18W-MAG-ov-fin-ba-lc

Category	Grade	Family	Operating Voltage (ov)	Finish (fin)	Beam Angle (ba)	Light Colour (lc)
SPOT	P-Professional	18W MAG	24VDC*	SIL Silver WHT White BLK Black GRY Grey	15°* 25°* 45°* 60°	2700K IW* 3000K WW* 4000K NW* 5000K CW* RGB R* G* B* A*

\* Available on special order



the LED lighting source™  
 COMMERCIAL • LANDSCAPE • ARCHITECTURAL • RESIDENTIAL

15 Brownridge Rd. Unit 6, Halton Hills, ON L7G 0C6 • 905-487-8192 • 1-877-LED-2DAY • SGIlighting.com

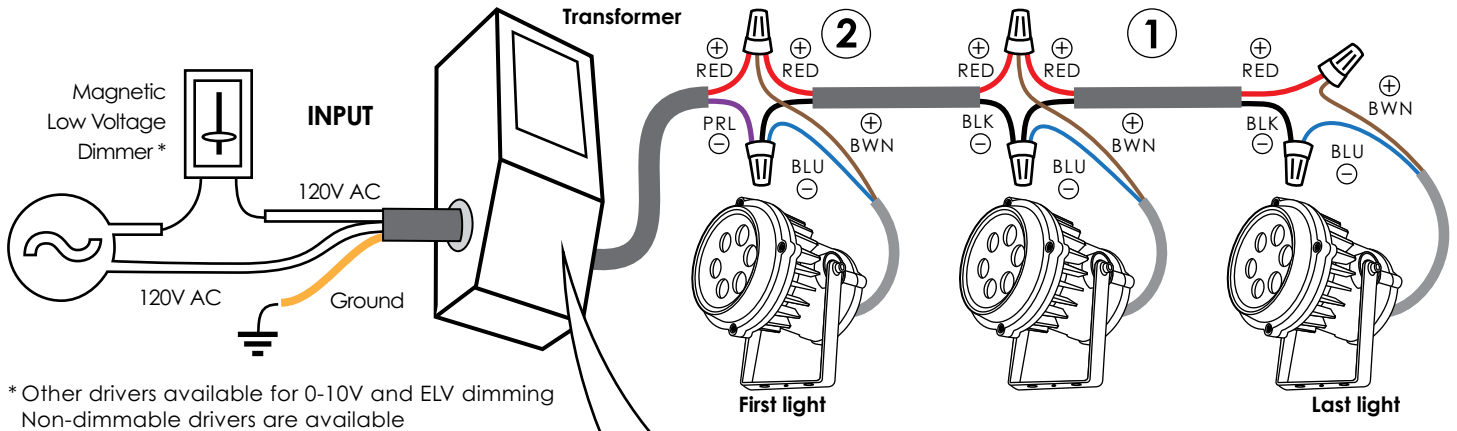
Project: \_\_\_\_\_

Client: \_\_\_\_\_

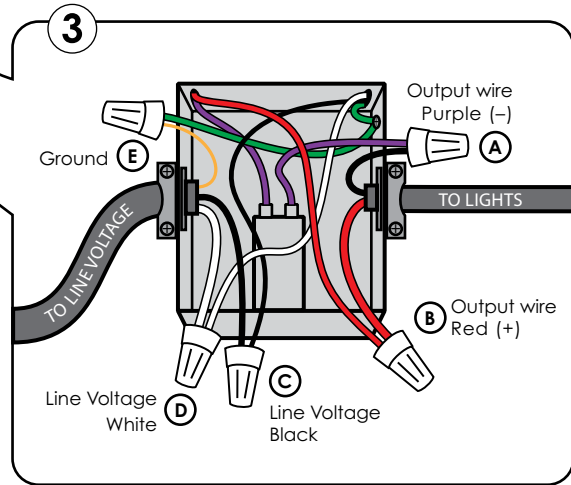
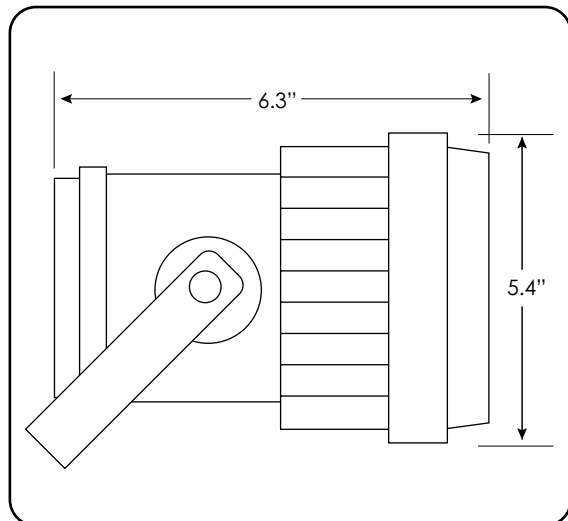
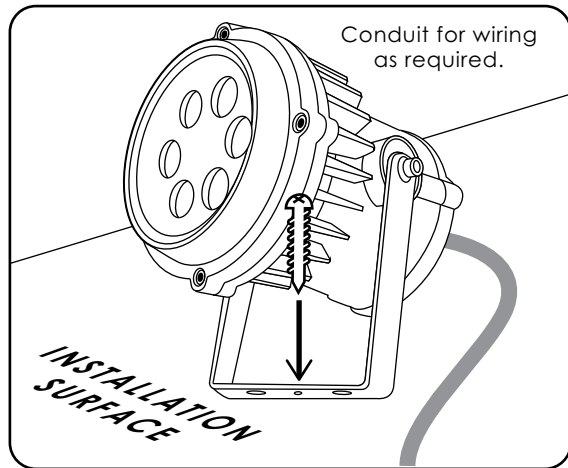
Part #: SPOT-P-18W-MAG-24VDC-fin-ba-lc

Date:      /      /      Qty: \_\_\_\_\_

# LED Spot Light • 18 Watt Magnum • Installation Guide



\* Other drivers available for 0-10V and ELV dimming  
 Non-dimmable drivers are available



1. Connect a main line of 14 or 16 AWG 2 conductor shielded cable from transformer to furthest light.
2. Connect each light to main cable run coming from the transformer in parallel connection as shown above.  
 Brown wire from Light (+) to Red wire from Transformer (+)  
 Blue wire from Light (-) to Purple wire from Transformer (-)
3. Connect power to transformer as shown.