



the LED lighting source™  
 COMMERCIAL • LANDSCAPE • ARCHITECTURAL • RESIDENTIAL

15 Brownridge Rd. Unit 6, Halton Hills, ON L7G 0C6 • 905-487-8192 • 1-877-LED-2DAY • SGIlighting.com

Project: \_\_\_\_\_

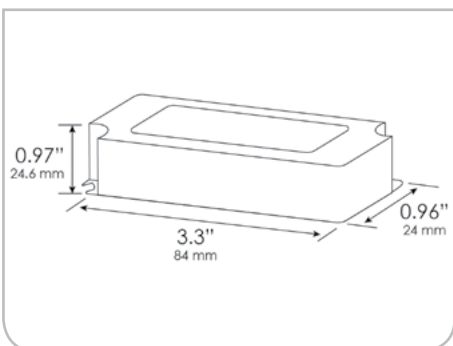
Client: \_\_\_\_\_

Part #: POWER - 11 - 12VDC - 13

Date:    /    /    Qty: \_\_\_\_\_

SPECIFICATION

## LED Power • 13 Watt 12VDC



<b>AC Input Voltage</b>	100-277VAC 47-63 Hz
<b>DC Output Voltage</b>	12VDC
<b>Input Current Full Load</b>	<0.2A
<b>Max Load</b>	12W
<b>Output Current Full Load</b>	1A
<b>Efficiency</b>	84.00%
<b>IP Rating</b>	IP67
<b>Dimension</b> Width, Length, Height	W     0.96"    24 mm L     3.3"     84 mm H     0.97"    24.6 mm
<b>Weight</b>	0.2 lbs    3.2 oz

### Features

- Class 2 LED DC Transformer
- Encapsulated transformer
- Small compact size
- UL879, UL1310 Class 2, CAN/CSA C22.2 No. 223-M91
- 2 year warranty