



the LED lighting source™
 COMMERCIAL • LANDSCAPE • ARCHITECTURAL • RESIDENTIAL

15 Brownridge Rd. Unit 6, Halton Hills, ON L7G 0C6 • 905-487-8192 • 1-877-LED-2DAY • SGIlighting.com

Project: _____

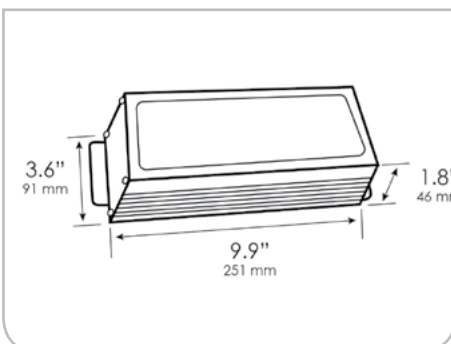
Client: _____

Part #: POWER – 21 – 24VDC – 320D

Date: / / Qty: _____

SPECIFICATION

LED Power • 320 Watt 24VDC Dimmable



AC Input Voltage	90-264V AC 47-60 Hz		
DC Output Voltage	24VDC		
Input Current Full Load	3.5A		
Max Load	320W		
Output Current Full Load	13.34A		
Efficiency	93.00%		
IP Rating	IP67		
Dimension Width, Length, Height	W	3.6"	91 mm
	L	9.9"	251 mm
	H	1.8"	46 mm
Weight	4.14 lbs	66.3 oz	

Features

- Class 1 Dimmable LED DC Transformer
- Encapsulated transformer
- Small compact size
- UL879, UL1310 Class 2, CAN/CSA C22.2 No. 223-M91
- Suitable for dry, damp, or wet locations
- 5 year Warranty



the LED lighting source™
COMMERCIAL • LANDSCAPE • ARCHITECTURAL • RESIDENTIAL

15 Brownridge Rd. Unit 6, Halton Hills, ON L7G 0C6 • 905-487-8192 • 1-877-LED-2DAY • SGiLighting.com

Project: _____

Client: _____

Part #: POWER-21-24VDC-320D

Date: / / Qty: _____

INSTALLATION

LED Power • 320 Watt 24VDC Dimmable

