



the LED lighting source™
 COMMERCIAL • LANDSCAPE • ARCHITECTURAL • RESIDENTIAL

15 Brownridge Rd. Unit 6, Halton Hills, ON L7G 0C6 • 905-487-8192 • 1-877-LED-2DAY • SGIlighting.com

Project: _____

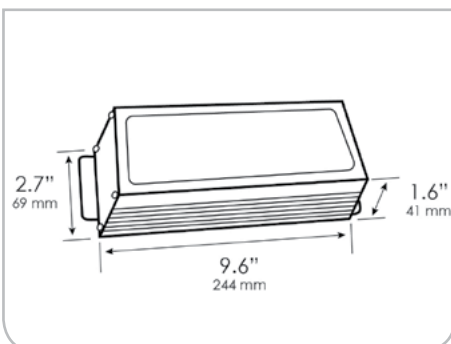
Client: _____

Part #: POWER – 21 – 24VDC – 240D

Date: / / Qty: _____

SPECIFICATION

LED Power • 240 Watt 24VDC Dimmable



AC Input Voltage	90-264V AC 47-60 Hz
DC Output Voltage	24VDC
Input Current Full Load	4A
Max Load	240W
Output Current Full Load	10A
Efficiency	93.00%
IP Rating	IP67
Dimension Width, Length, Height	W 2.67" 68 mm L 9.6" 245 mm H 1.5" 39 mm
Weight	2.65 lbs 42.4 oz

Features

- Class 1 Dimmable LED DC Transformer
- Encapsulated transformer
- UL879, UL1310 Class 2, CAN/CSA C22.2 No. 223-M91
- Three in one dimming function (1-10VDC or PWM signal or Resistance)
- Suitable for dry, damp, or wet locations
- 5 year Warranty



the LED lighting source™
COMMERCIAL • LANDSCAPE • ARCHITECTURAL • RESIDENTIAL

15 Brownridge Rd. Unit 6, Halton Hills, ON L7G 0C6 • 905-487-8192 • 1-877-LED-2DAY • SGiLighting.com

Project: _____

Client: _____

Part #: POWER-21-24VDC-240D

Date: / / Qty: _____

INSTALLATION

LED Power • 240 Watt 24VDC Dimmable

